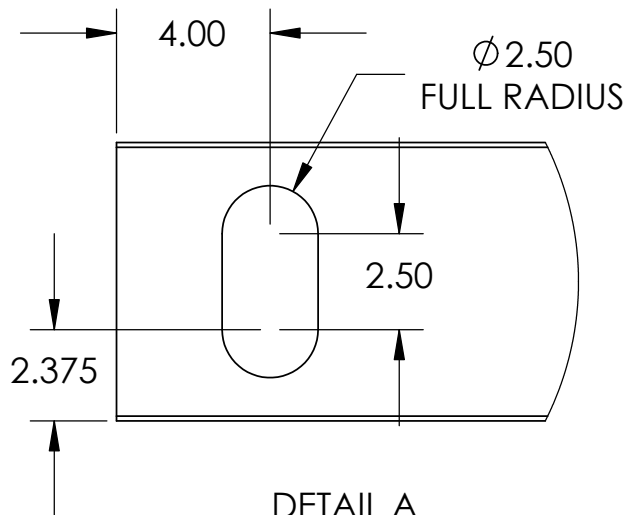
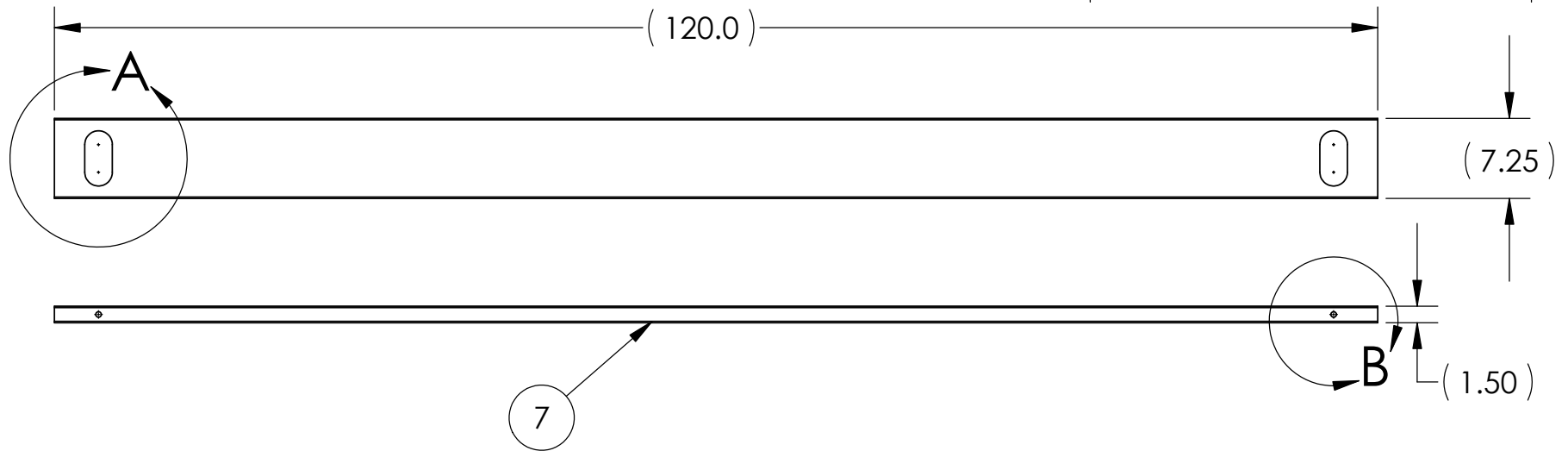
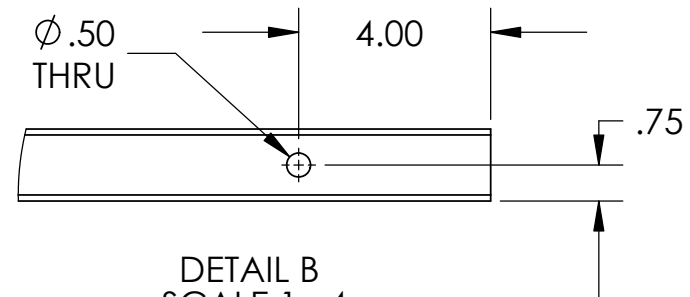


REVISIONS		DATE
REV.	DESCRIPTION	
A	INITIAL RELEASE	



DETAIL A  
SCALE 1 : 5  
(BOTH ENDS)



DETAIL B  
SCALE 1 : 4  
(BOTH ENDS)

**WEBER Technical**

TITLE:  
**2 X 8 X 10' BEAM  
SPICER PRESS**

SIZE <b>A</b>	DWG. NO. <b>SSP-003</b>	REV <b>A</b>
------------------	----------------------------	-----------------

SCALE: 1:10 | DATE: 09/07/05 | SHEET 3 OF 7