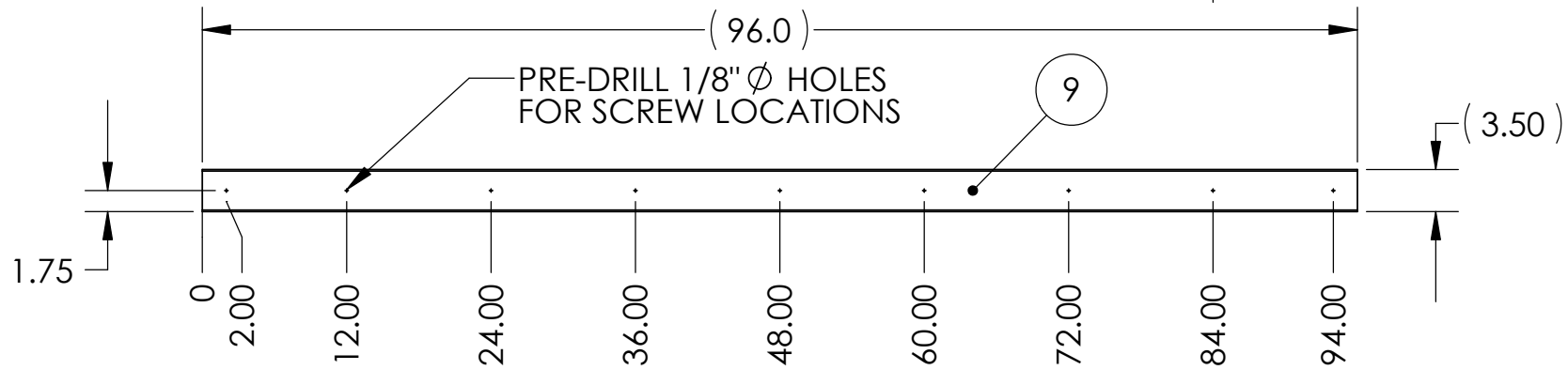
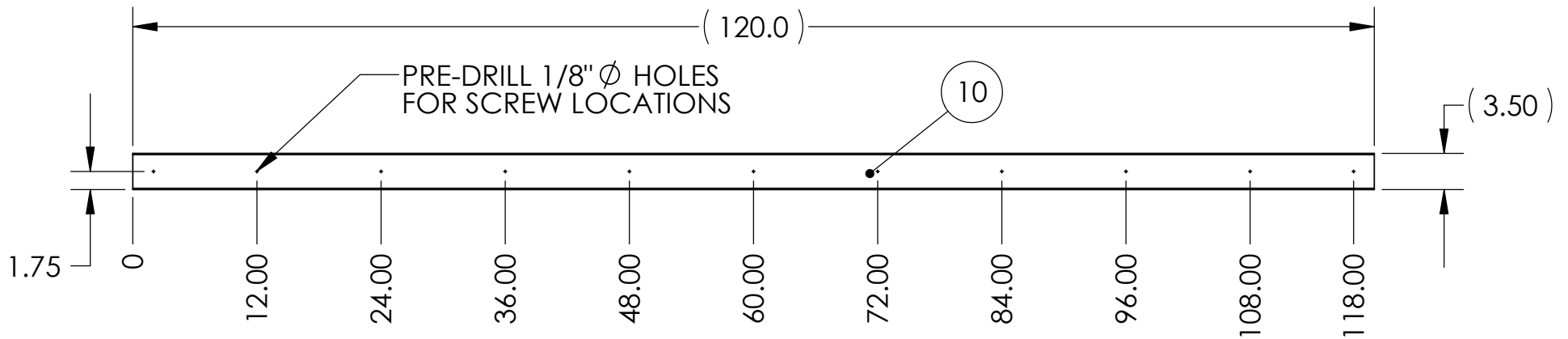


REVISIONS		
REV.	DESCRIPTION	DATE
A	INITIAL RELEASE	



2x4x8 BEAM CAP

1 REQUIRED
SCALE - 1:15



2x4x10 BASE RAILS

2 REQUIRED
SCALE - 1:15

WEBER Technical

TITLE:

**2 x 4 CAP & RAILS
SPICER PRESS**

SIZE

A

DWG. NO.

SSP-005

REV

A

SCALE: 1:10

DATE: 09/07/05

SHEET 5 OF 7